

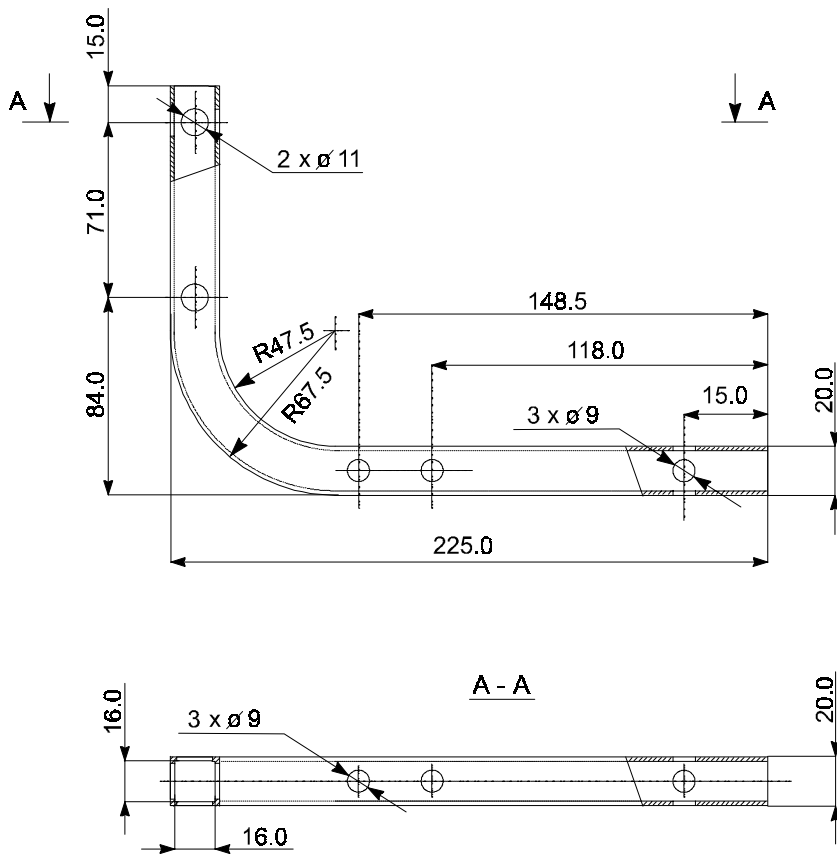
# 2" Pipe-mounting kit:

Contents:

Item	Description	Quantity	P/N
1	Bracket	1	013-065
2	U bolt 5/16-18	1	013-064
3	Nut (UNC) 3/8-16	2	013-066
4	Bolt (UNC) 5/16x50	2	013-067
5	Spring-washer 5/16	2	013-068
6	Washer 5/16-18x11	2	013-069

**Bracket**

**U - bolt**



U.O.S ALL DIMENSIONS ARE IN mm  
 THE DOCUMENT AND ITS  
 CONTENTS ARE THE CONFIDENTIAL  
 PROPERTY OF MESCON AND SHALL  
 NOT BE REPRODUCED, DISCLOSED  
 TO OTHERS, OR USED AS THE  
 BASIS FOR THE MANUFACTURE  
 OR SALES OF APPARATUS OR  
 FOR ANY OTHER PURPOSE  
 WITHOUT THE WRITTEN PERMISSION  
 OF MESCON.



**MESCON TECHNOLOGIES, LTD.**

REV	DESCRIPTION	MEMO

DRAWN: SURPIN MARINA		DATA: 09.12.98
CHECKED:		
APPROVED: BOLURIAN ITZIK		DATA: 09.12.98
TITLE: 2" Pipe-mounting kit:		
DRAWING STATUS	DRAWING NUMBER	REV
<input type="checkbox"/> PRELIMINARY <input type="checkbox"/> ENGINEERING <input type="checkbox"/> PRODUCTION	SHEET OF SHEETS	