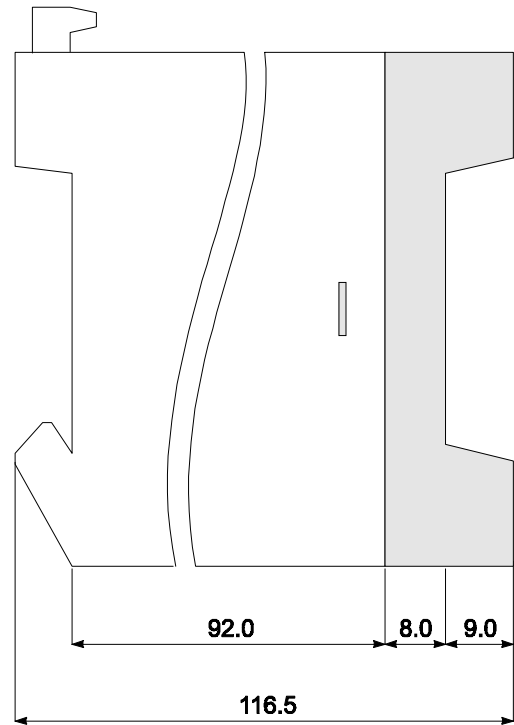
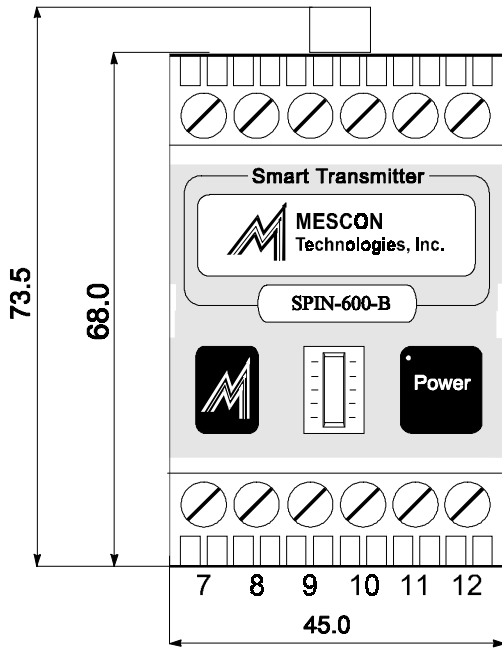


SPIN-600 Temp. INPUT



U.O.S ALL DIMENSIONS ARE IN mm
 THE DOCUMENT AND ITS
 CONTENTS ARE THE CONFIDENTIAL
 PROPERTY OF MESCON AND SHALL
 NOT BE REPRODUCED, DISCLOSED
 TO OTHERS, OR USED AS THE
 BASIS FOR THE MANUFACTURE
 OR SALES OF APPARATUS OR
 FOR ANY OTHER PURPOSE
 WITHOUT THE WRITTEN PERMISSION
 OF MESCON.



MESCON TECHNOLOGIES, LTD.

REV	DESCRIPTION	MEMO	DRAWN: SURPIN MARINA		DATA: 13.01.99
			CHECKED:		
			APPROVED: BOLURIAN ITZIK		DATA: 13.01.99
TITLE: SPIN-600 mechanical drawing					
DRAWING STATUS			DRAWING NUMBER		REV
_PRELIMINARY			SHEET OF SHEETS		
_ENGINEERING					
_PRODUCTION					