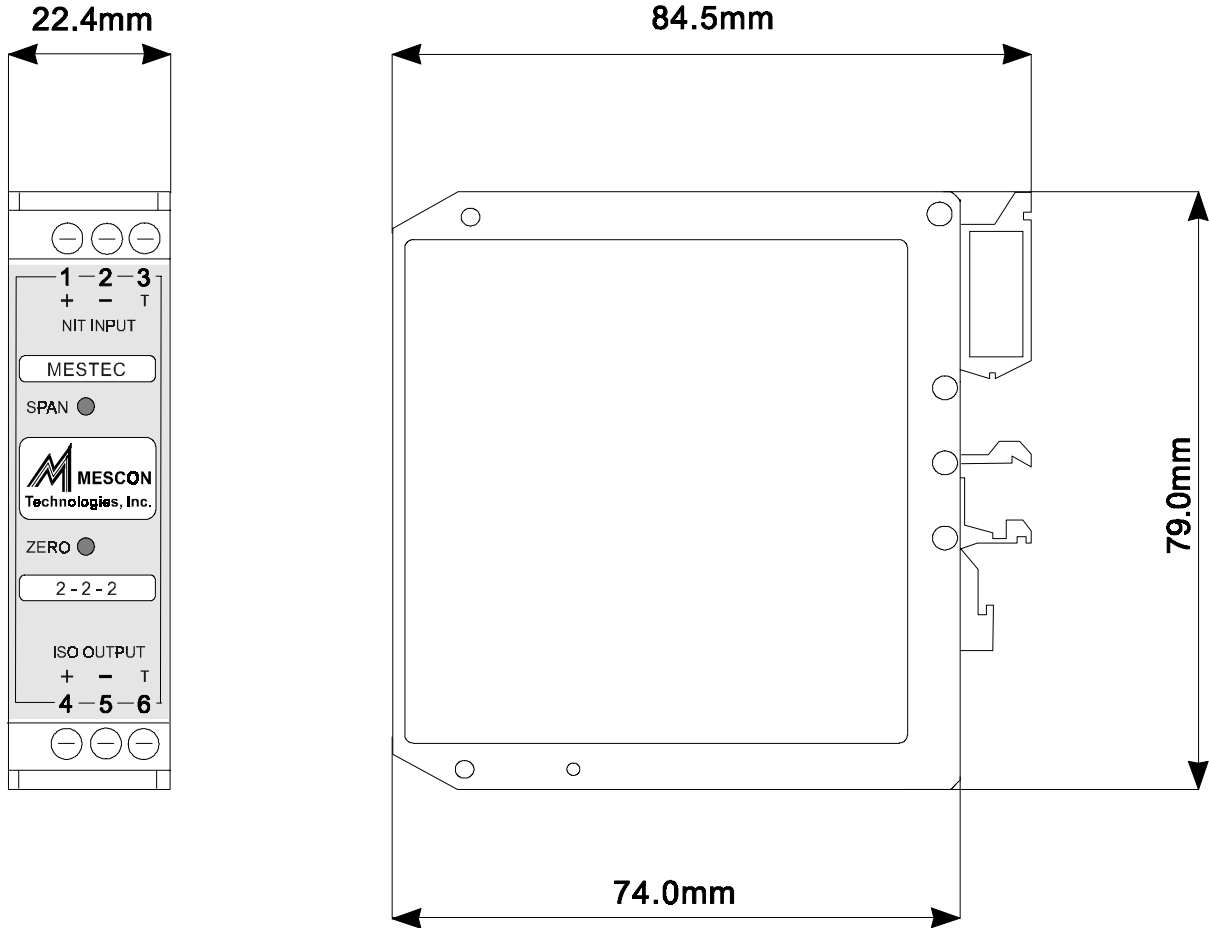


MESTEC 2-2-2



U.O.S ALL DIMENSIONS ARE IN mm
 THE DOCUMENT AND ITS
 CONTENTS ARE THE CONFIDENTIAL
 PROPERTY OF MESCON AND SHALL
 NOT BE REPRODUCED, DISCLOSED
 TO OTHERS, OR USED AS THE
 BASIS FOR THE MANUFACTURE
 OR SALES OF APPARATUS OR
 FOR ANY OTHER PURPOSE
 WITHOUT THE WRITTEN PERMISSION
 OF MESCON.



REV	DESCRIPTION	MEMO	DRAWN: SURPIN MARINA		DATA: 13.01.99
			CHECKED:		
			APPROVED: BOLURIAN ITZIK		DATA: 13.01.99
TITLE: MESTEC 2 -2 -2 - mechanical drawing					
DRAWING STATUS			DRAWING NUMBER		REV
__PRELIMINARY			SHEET OF SHEETS		
__ENGINEERING					
__PRODUCTION					