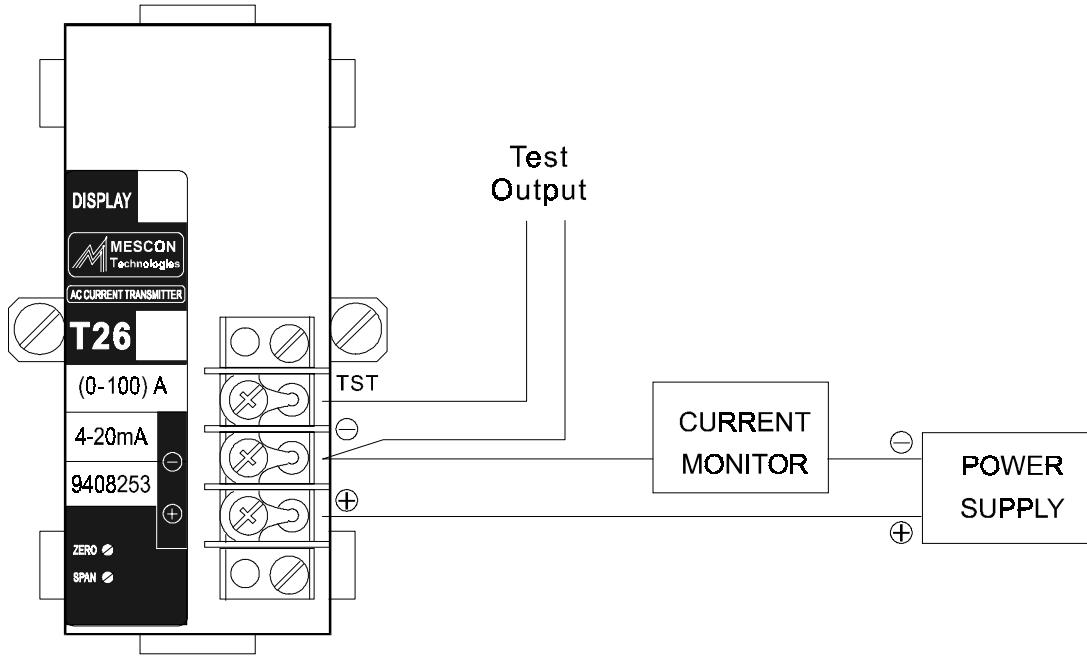


Series T26



U.O.S ALL DIMENSIONS ARE IN mm
 THE DOCUMENT AND ITS
 CONTENTS ARE THE CONFIDENTIAL
 PROPERTY OF MESCON AND SHALL
 NOT BE REPRODUCED, DISCLOSED
 TO OTHERS, OR USED AS THE
 BASIS FOR THE MANUFACTURE
 OR SALES OF APPARATUS OR
 FOR ANY OTHER PURPOSE
 WITHOUT THE WRITTEN PERMISSION
 OF MESCON.



MESCÓN TECHNOLOGIES, LTD.

REV	DESCRIPTION	MEMO		
			DRAWN: SURPIN MARINA	DATA: 05.01.99
			CHECKED:	
			APPROVED: BOLURIAN ITZIK	DATA: 05.01.99
			TITLE: T26 wiring diagram	
			DRAWING STATUS	DRAWING NUMBER
			__PRELIMINARY	
			__ENGINEERING	SHEET OF SHEETS
			__PRODUCTION	
				REV