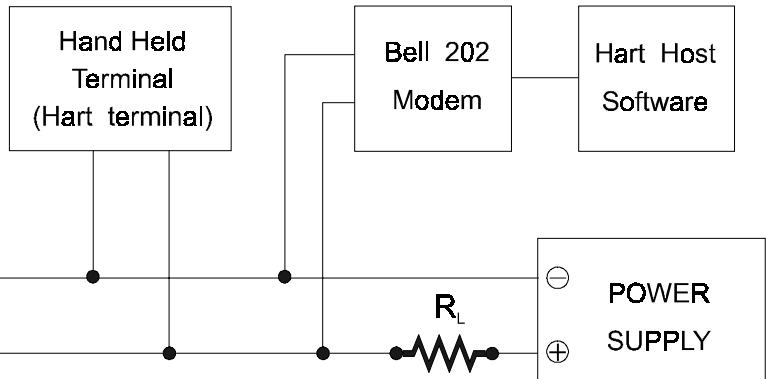
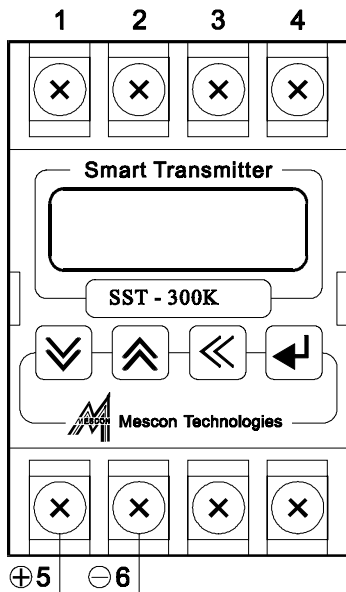
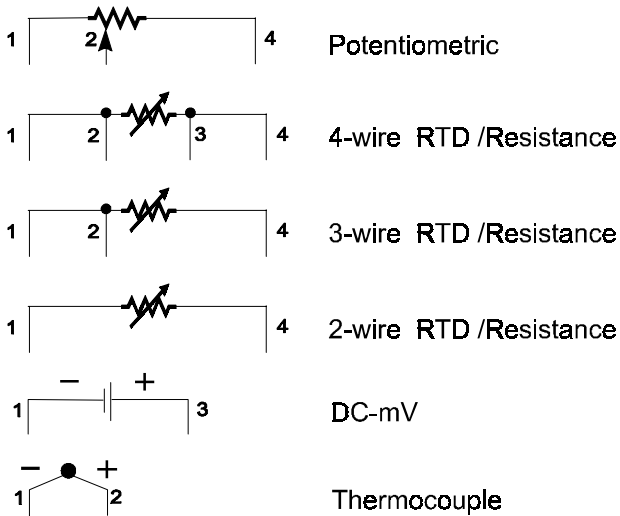


# SST-300K



U.O.S ALL DIMENSIONS ARE IN mm THE DOCUMENT AND ITS CONTENTS ARE THE CONFIDENTIAL PROPERTY OF MESCON AND SHALL NOT BE REPRODUCED, DISCLOSED TO OTHERS, OR USED AS THE BASIS FOR THE MANUFACTURE OR SALES OF APPARATUS OR FOR ANY OTHER PURPOSE WITHOUT THE WRITTEN PERMISSION OF MESCON.



MESCON TECHNOLOGIES, LTD.

REV	DESCRIPTION	MEMO	DRAWN: SURPIN MARINA	DATA: 04.01.99
			CHECKED:	
			APPROVED: BOLURIAN ITZIK	DATA: 04.01.99
TITLE: SST-300K wiring diagram				
DRAWING STATUS		DRAWING NUMBER		REV
_PRELIMINARY		SHEET OF SHEETS		
_ENGINEERING				
_PRODUCTION				