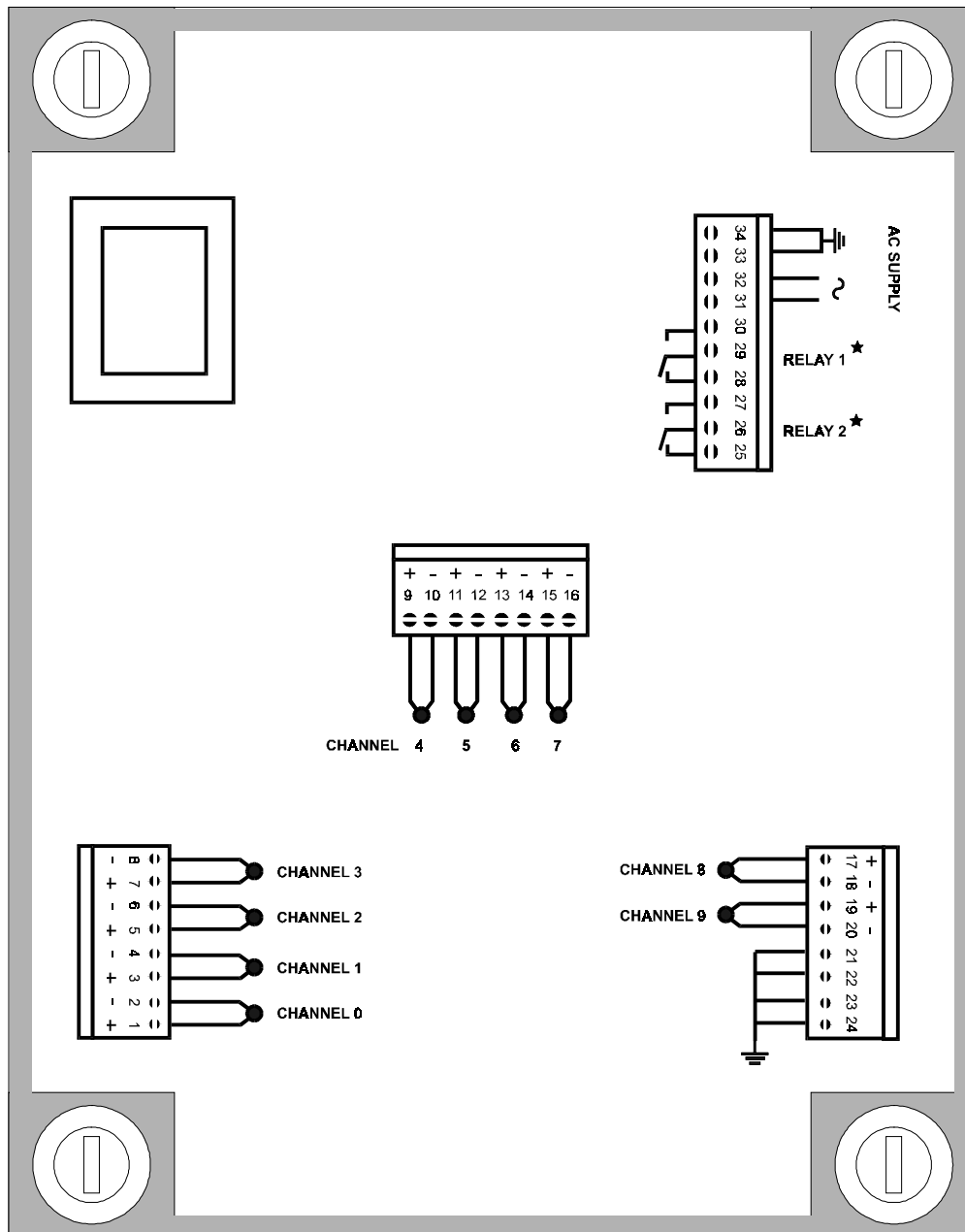


MESTEC 700-S-T2 ELECTRICAL CONNECTIONS

THERMOCOUPLE / mV INPUT



- Notes:
1. Relay 1 is the ALARM 1 (control 1) output. Relay 1 is controlled by SET POINT 1 of all input channels.
Relay 2 is the ALARM 2 (control 2) output. Relay 2 is controlled by SET POINT 2 of all input channels.
 2. Relays are shown in their non energized position.
 - If the MESTEC 700-S is set to "Fail Safe" then this is the alarming (Active Output) position.
 - If the MESTEC 700-S is set to "No Power Fail Alarm" then this is the non alarming (Idle Output) position.