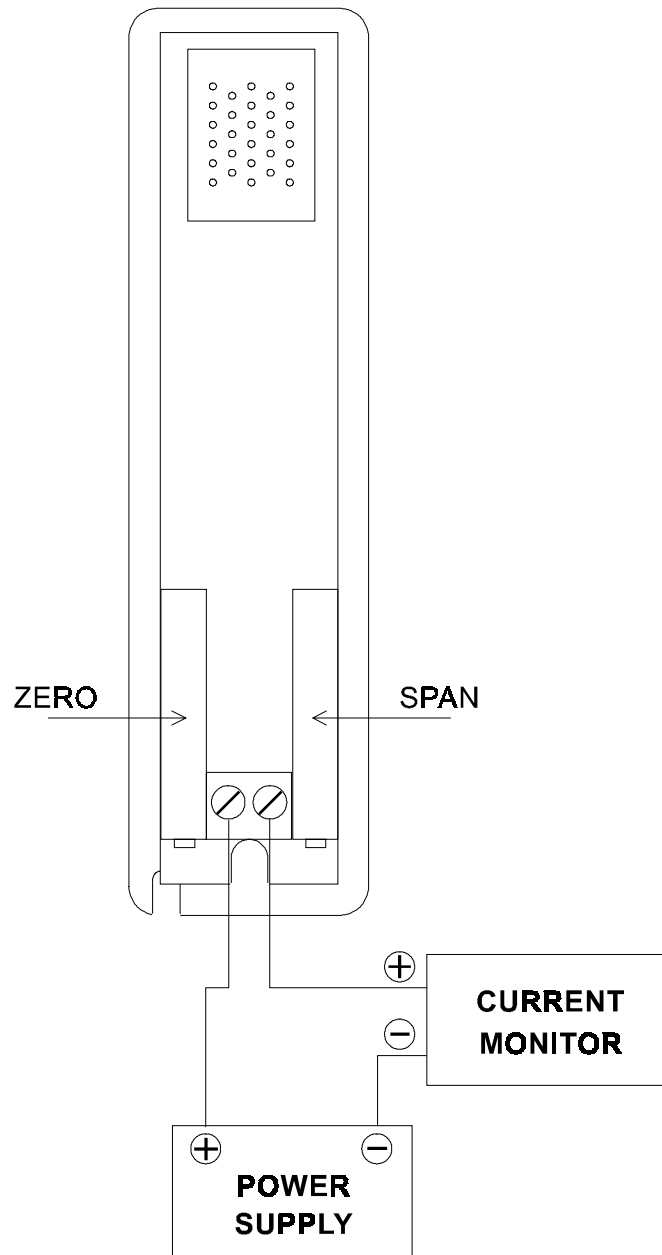


Hygrotec-HVAC



U.S. ALL DIMENSIONS ARE IN mm THE DOCUMENT AND ITS CONTENTS ARE THE CONFIDENTIAL PROPERTY OF MESCON AND SHALL NOT BE REPRODUCED, DISCLOSED TO OTHERS, OR USED AS THE BASIS FOR THE MANUFACTURE OR SALES OF APPARATUS OR FOR ANY OTHER PURPOSE WITHOUT THE WRITTEN PERMISSION OF MESCON.



MESCON TECHNOLOGIES, LTD.

REV	DESCRIPTION	MEMO	DRAWN: SURPIN MARINA		DATA: 03.01.99
			CHECKED:		
			APPROVED: BOLURIAN ITZIK		DATA: 03.01.99
TITLE: Hygrotec-HVAC wiring diagram					
			DRAWING STATUS	DRAWING NUMBER	REV
			<input type="checkbox"/> PRELIMINARY	SHEET OF SHEETS	
			<input type="checkbox"/> ENGINEERING		
			<input type="checkbox"/> PRODUCTION		