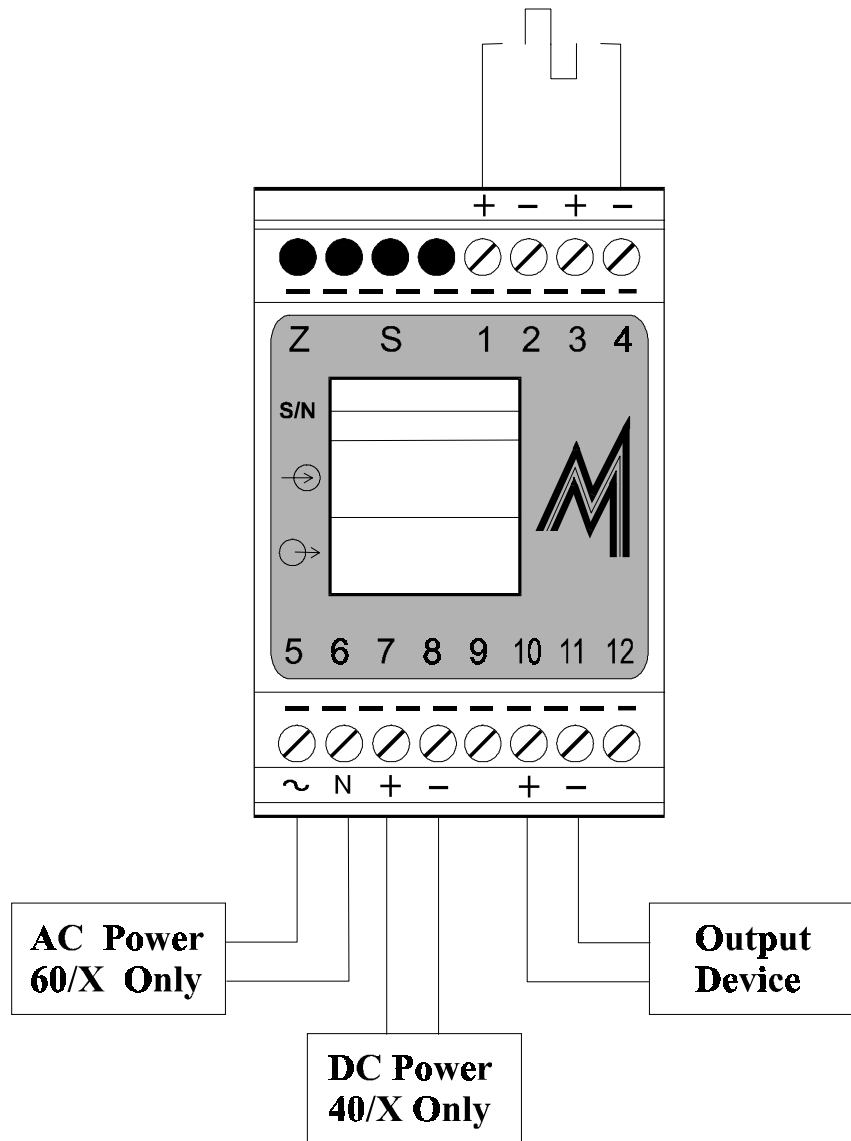


Model 40/7, 60/7, (L)

Terminal Assignment



U.S.S ALL DIMENSIONS ARE IN mm THE DOCUMENT AND ITS CONTENTS ARE THE CONFIDENTIAL PROPERTY OF MESCON AND SHALL NOT BE REPRODUCED, DISCLOSED TO OTHERS, OR USED AS THE BASIS FOR THE MANUFACTURE OR SALES OF APPARATUS OR FOR ANY OTHER PURPOSE WITHOUT THE WRITTEN PERMISSION OF MESCON.

REV	DESCRIPTION	MEMO



MESCON TECHNOLOGIES, LTD.

DRAWN: SURPIN MARINA		DATA: 03.01.99
CHECKED:		
APPROVED: BOLURIAN ITZIK		DATA: 03.01.99
TITLE: Model 40/7, 60/7, (L) - wiring diagram		
DRAWING STATUS	DRAWING NUMBER	REV
<input type="checkbox"/> PRELIMINARY <input type="checkbox"/> ENGINEERING <input type="checkbox"/> PRODUCTION	SHEET OF SHEETS	