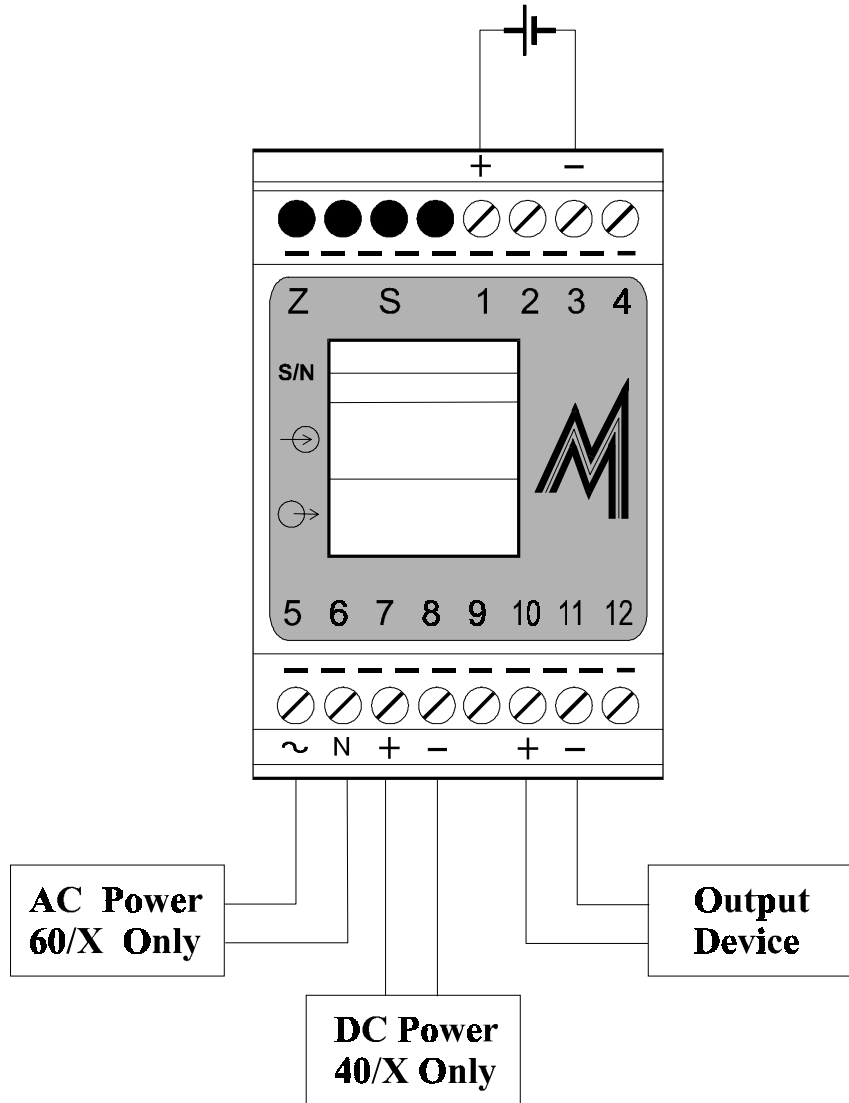


# Model 40/3, 60/3, (L)

## Terminal Assignment



U.O.S ALL DIMENSIONS ARE IN mm  
 THE DOCUMENT AND ITS  
 CONTENTS ARE THE CONFIDENTIAL  
 PROPERTY OF MESCON AND SHALL  
 NOT BE REPRODUCED, DISCLOSED  
 TO OTHERS, OR USED AS THE  
 BASIS FOR THE MANUFACTURE  
 OR SALES OF APPARATUS OR  
 FOR ANY OTHER PURPOSE  
 WITHOUT THE WRITTEN PERMISSION  
 OF MESCON.



MESCON TECHNOLOGIES, LTD.

REV	DESCRIPTION	MEMO	DRAWN: SURPIN MARINA		DATA: 03.01.99
			CHECKED:		
			APPROVED: BOLURIAN ITZIK		DATA: 03.01.99
TITLE: Model 40/3, 60/3, (L) - wiring diagram					
DRAWING STATUS			DRAWING NUMBER		REV
_ PRELIMINARY			SHEET OF SHEETS		
_ ENGINEERING					
_ PRODUCTION					