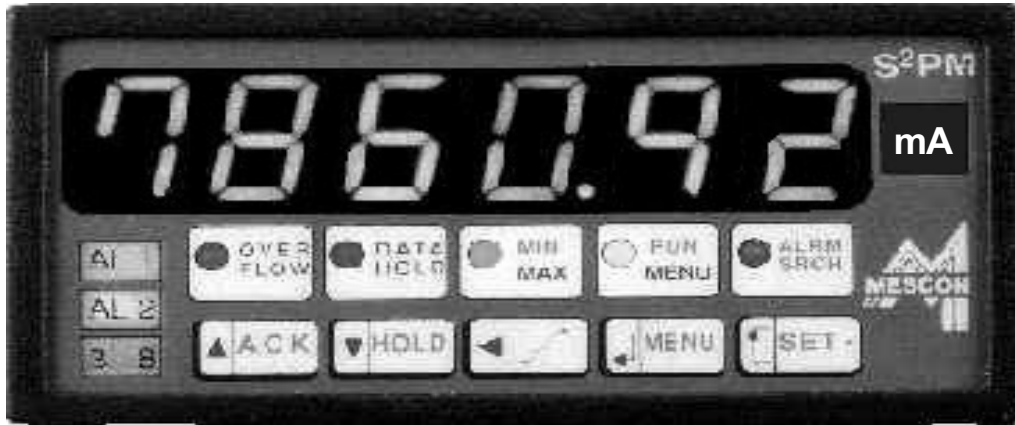


Series S²PM-2010

Smart, DC-Input process Monitor

Precision, Feature-full



TYPICAL APPLICATIONS:

- Process Indicator.
- Tank level Linearisation
- Multi-level alarm.
- Multi-step processing.
- Flow Monitoring.
- Level Control.

STANDARD FEATURES:

- Ultimate speed vs. resolution
- 20 Bit Delta-Sigma A/D conversion
- Up to 50 Conversions per second
- Accepts DC volts, DCmA, DCmV and 2-wire Xmtr inputs
- Scaleable (6-digit) Display, Input & Output
- 8 Multi-color LED's provide comprehensive display of instrument status and alarm
- Fully programmable 2 alarm set-points with SPDT relay output
- Peak, valley, data-hold, square-root, and totalizing functions
- Multi-point costum linearization
- 28VDC power supply output for 2-wire Xmtr
- Power failure memory protection
- Dual Input capability and math manipulation

OPTIONS:

- Up to a total of 8 alarm setpoints with individual relay outputs and individual parameter settings.
- Isolated, scaleable analog output in current or voltage mode.
- Point-to-point or multi-drop isolated communication (RS232 or RS485).
- Color changing display for alarm visualization and visual remote status indication.

NO WIRES. NO JUMPERS. NO SCREWDRIVERS

This exceptional series integrates high technology microprocessor system with unique analog circuit design to yield an easy to use instrument with very high resolution, excellent accuracy, and the ability to interface with many industrial sensors. It has a 6 digit LED numeric display that can be scaled to any engineering units. During programming, the display turns to alpha-numeric for prompting and message calling in the various menu modes.

The S²PM configuration is 100% software driven. It is configured exclusively via the front panel keyboard for input type, display scaling, decimal point selection, peak/valley reading and individually set relay control parameters for each set point (Hi-Lo, On & Off delay functions, Latching/Non-Latching and Hysteresis).



MESCON
Technologies, Inc.

9318 Gulfstream Road • Suite A • Frankfort, IL. 60423 • Telephone: 815-464-5004 • Fax: 815-464-5003
E-Mail Address: mescon@mescontec.com • Web Site: www.mescontec.com

Series S²PM-2010

Smart, DC-Input process Monitor

Precision, Feature-full

SPECIFICATIONS:

Linearity.....±0.01% max (±0.005% typical)
 Power Supply.....230 or 115V, 50/60 Hz; 24VDC ±20%
 Excitation for 2-wire transmitters.....28VDC @27mA
 Dimensions.....1/8 DIN 96x48x155mm

INPUTS:

DC Volts.....±10 Volts
 2-wire transmitters.....4 - 20 mA
 DCmV.....0 to ±1000 mV
 DCmA.....0 to ±50mA

PROGRAMING:

Via Front Panel.....5-button panel keyboard
 Procedure.....Prompting display messages
 Modes.....User, operator, and service
 Conversion Time.....20mS typical, 120 mS max.

DISPLAY FEATURES:

Types.....Red LED, 0.56" high; Tri-color, optional
 Resolution.....Full 6 Digits
 Range.....-99999 to 999999
 Decimal Point.....Programmable or Floating

SET POINT FEATURES:

Number of Points.....2 built-in, Expandable to 8
 Set Point Indications.....3 RED/GREEN status LEDs
 Relay Outputs.....2 SPDT, 220VAC/0.3A
 Modes.....High/Low, Latching, Non/Latching
 Hysteresys.....In display units, 0-100% of range
 Trip Delay Time.....Independent Delay-On / Delay-off

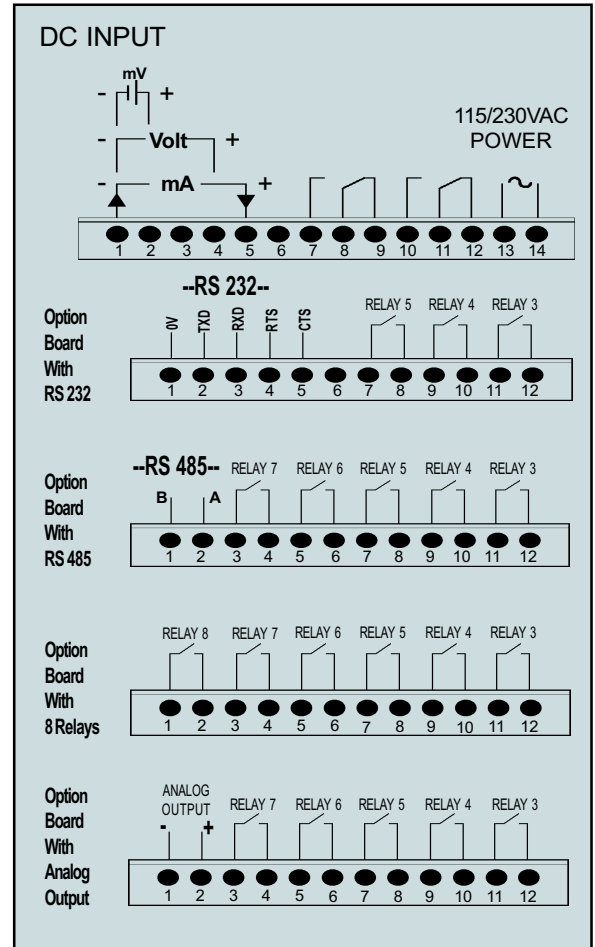
OPTIONS:

Relay.....Up to 8, 220V/0.3A
 Isolated Analog Output.....Current: 4-20, 0-20, 1-5, 0-1mA
 Voltage: 0±1, 2, 5, 10 Volts

ISOLATED SERIAL COMMUNICATIONS:

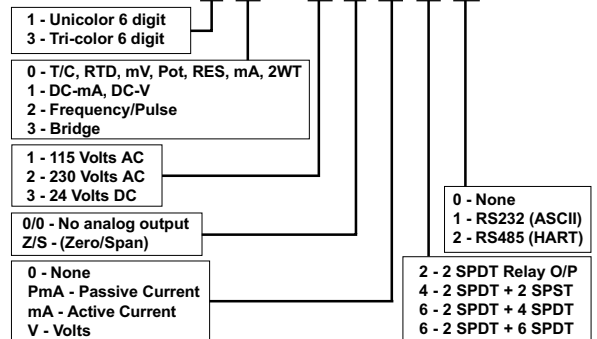
Physical:.....RS232 or RS485
 Protocol:.....HART, ASCII

Wiring Diagram



ORDERING INFORMATION

S²PM-2-X-X-0-X-X-X-X-X



All specifications are subject to change without notice.



MESCON
 Technologies, Inc.

Tel: 815-464-5004 • Fax: 815-464-5003
 E-Mail Address: mescon@mescontec.com
 Web Site: www.mescontec.com

Distributed By:

