

2-Wire Pressure Transmitter

Corrosive & High-Purity Applications

Series LW-300

Designed specifically for use in harsh chemical processes that typically utilize Plastic or Plastic-Lined Piping systems. This Transmitter offers highly corrosion resistant construction combined with high precision measurement without a need for Gauge Isolator. The replaceable Wet-End in combination with the available choices of construction materials makes the LW-300 suitable to a wide range of applications in varying process industries. A wide range of optional process connections also increases the versatility of the LW-300.

- C Easily replaceable wet-end results in a wide range of chemical compatibility and reduces plant inventory requirements.**
- C Corrosion resistant construction eliminates the need for diaphragm isolators in corrosive applications.**
- C Non-Metallic: Only materials in contact with the process liquid are CPVC (PVDF optional) Ceramic and Viton (other elastomers optional). Suitable for use with high purity liquids.**
- C Choice of process connections: Male Threads or optional Flange & Sanitary Tri-Clamp.**
- C 2 wire design utilizing a temperature compensated capacitance type sensing element to provide a linear high precision output.**
- C Heavy duty construction in a NEMA 4X housing.**



LW-400 shown with CPVC wet-end, 1/2" NPT

Check with us for assistance in selecting the proper materials for your applications.



MESCON
Technologies, Inc.

9318 Gulfstream Road, Frankfort, IL 60423 Phone: 815-464-5004 Fax: 815-464-5003
E-Mail: mescon@mescontec.com Web Site: www.mescontec.com

Specifications:

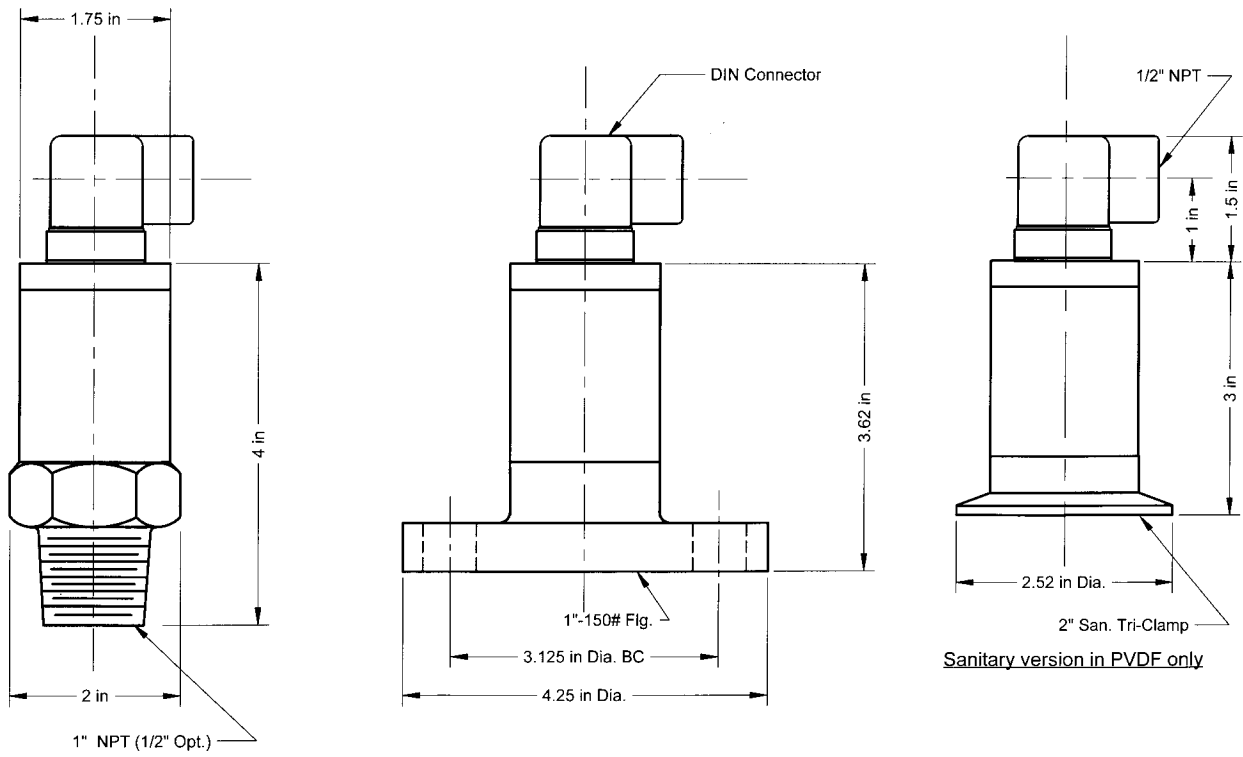
Pressure ranges:	0-1, 0-2, 0-5, 0-10, 0-20, 0-50, 0-100, 0-200, 0-300 PSI.
St'd Process Connection:	½" or 1" Male Pipe thread.
Optional Connections:	1"-150# Flange, 2" Sanitary Tri-Clamp.
St'd Wet-end materials:	CPVC, Ceramic (96%) sensing element, Viton O-Ring.
Optional Wet-end materials:	Ultra Pure Ceramic (99.9%) sensing element, PVDF, EPDM or Kalrez O-ring.
Housing:	T-304 SST with CPVC rear cover. NEMA 4X.
Power Supply:	8-40 VDC, Polarity protected.
Output:	4-20 mA DC. 2-Wire system.
Accuracy:	Better than 0.1% of span, Linearity, Hysteressis, Repeatability.
Operating Temp range:	-20 to 80°C (-4 to 176°F). Optional extended temperature range.
Dimensions:	2" diameter x 5¼" long (including connector).

To order, specify:

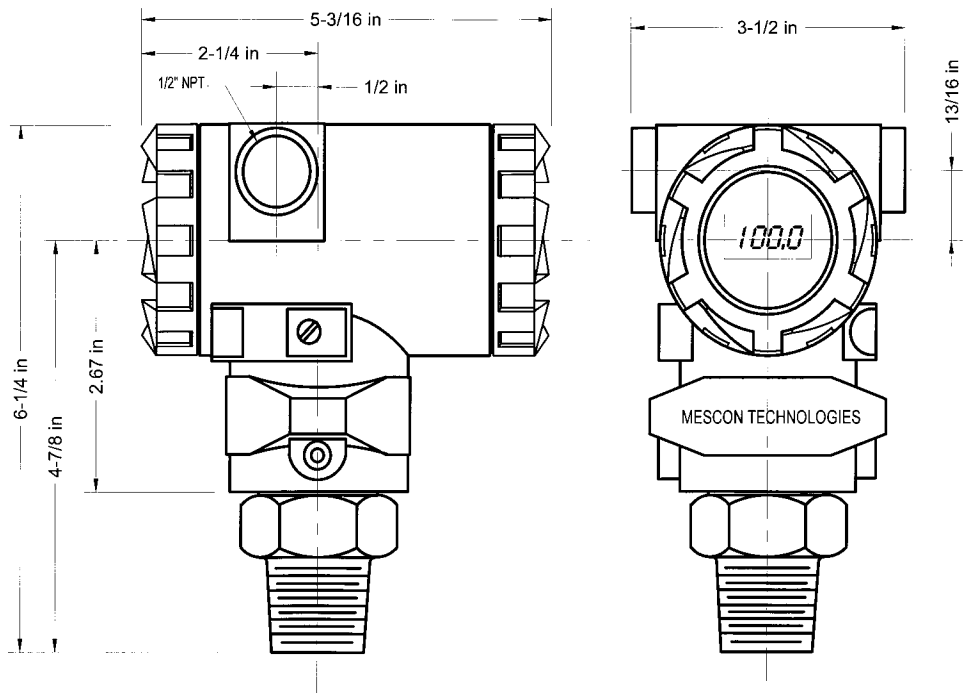
LW-300 - 1N - P - C - V - 4X - X - (0-200)

Process connection	1N = 1" NPT 2N = ½" NPT 1F = 1" 150# Flange 2S = 2" Sanitary						
Wet-End Material		P = PVDF C = CPVC					
Sensing Element			C = Ceramic P = Ultra Pure Ceramic				
Seal Material				V = viton E = EPDM			
Housing					4X = NEMA 4X XP = Explosion Proof		
Electrical connector						X = ½" NPT DIN Plug	
Range, PSI							0-1 0-2 0-5 0-10 0-20 0-50 0-100 0-200 0-300

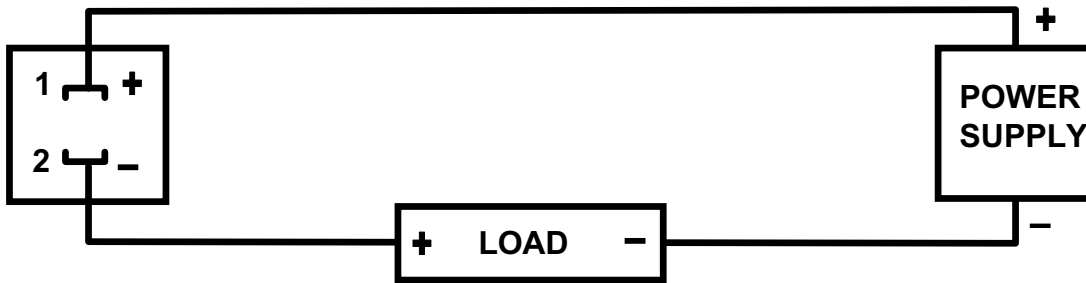
DIMENSIONS FOR NEMA 4X HOUSINGS



DIMENSIONS FOR XP ENCLOSURE



2-Wire Pressure Transmitter Corrosive & High-Purity Applications Series LW-300



WIRING DIAGRAM

ADDITIONAL PRODUCTS BY MESCON TECHNOLOGIES:

- C** PC Programmable Smart Transmitters, using the exclusive Mescon Just-PC Technology for measurements of temperature, DC voltage & current, resistance, and frequency inputs.
- C** The most comprehensive & universal temperature input capability industry wide, accepting all thermocouples & RTD inputs as well as thermistors and IR-thermocouples. Full linearization, user defineable tables, math function capabilities and multi-input capacity.
- C** Smart Panel Meters. Up to 6 digit display, universal input with full linearization and multiple alarm relays.
- C** Transmitters & Signal Conditioners in 2, 3 and 4 wire designs, DC or AC powered, with DIN rail, thermal-head or surface mounting as well as NEMA 4 & 7 enclosures.
- C** Wide range of Process and Power measurement and Signal conditioning.