

Isolators-Current Loop Powered High Precision, Wide Range ISOTEC[®]-2, ISOTEC[®]-3

ISOTEC[®] series current loop isolators accept any standard current loop from 0 to 50mA and reproduce an identical and isolated duplicate signal output (ISOTEC[®]-2) or a zero base voltage output (ISOTEC[®]-3) with a high degree of precision and stability, a minimum voltage drop, and a high immunity to load and load variations. The units are housed in a narrow DIN rail plastic enclosure which facilitates high density installation in multi-channel applications.

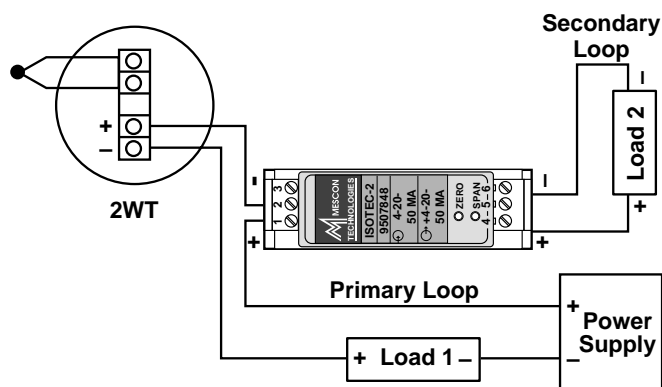


FEATURES:

- ISOTEC[®]-2/3 isolates any current loop up to 50mA
- ISOTEC[®]-2/3 is loop powered. No power supply needed
- ISOTEC[®]-2/3 has an inherently low voltage drop
- ISOTEC[®]-2/3 provides a superior $\pm 0.1\%$ accuracy
- ISOTEC[®]-2/3 accuracy is highly load independent
- ISOTEC[®]-2/3 has superior temperature stability
- ISOTEC[®]-2/3 has input and output monitoring points
- ISOTEC[®]-2/3 is auto calibrated for any range up to 50mA

OPTIONS:

- Convert 10-50mA into 4-20mA
- NEMA 4X or NEMA 7 enclosure



A loop isolator will duplicate the primary loop signal into the secondary loop, isolating Load 2 from the primary loop.

Sample loop showing the ISOTEC[®]



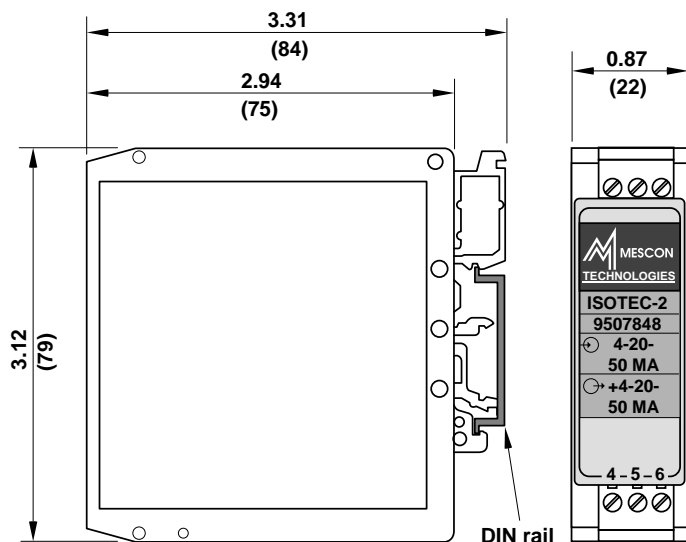
MESCON
Technologies, Inc.

9318 Gulfstream Road • Suite A • Frankfort, IL. 60423 • Telephone: 815-464-5004 • Fax: 815-464-5003
E-Mail Address: mescon@mescontec.com • Web Site: www.mescontec.com

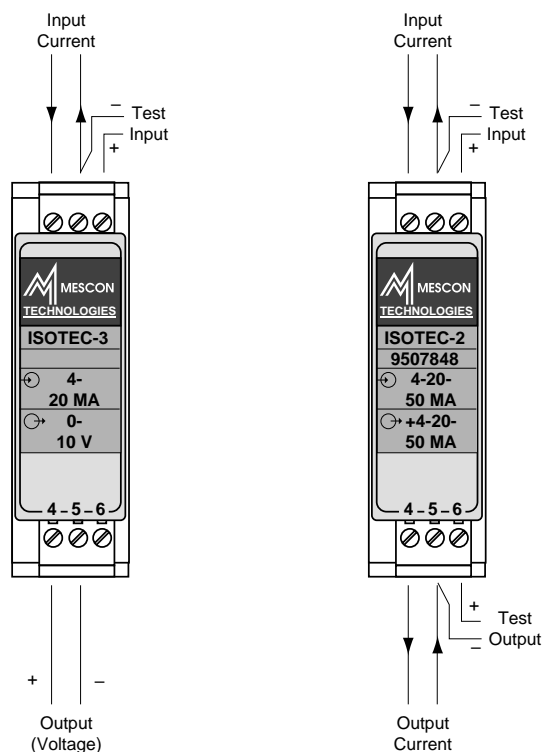
Isolators-Current Loop Powered

High Precision, Wide Range

ISOTEC®-2, ISOTEC®-3



Dimensions are in inches (mm)



ISOTEC® Wiring Information

ISOTEC is a registered trademark of Mescon Technologies, Inc.

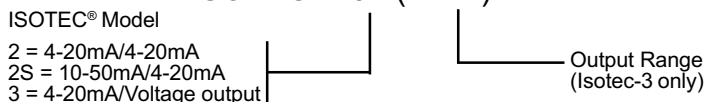
SPECIFICATIONS:

- Input signal 0/4...10...20...50 mA
- Output signal (ISOTEC®-2) 0/4...10...20...50 mA
(ISOTEC®-3) 0-1V, 0-5V, 0-10V (for 4-20mA input)
(ISOTEC®-2S) .. 4-20mA output for 10-50mA input
- Adjustability (ISOTEC®-2) Automatic, none required
(ISOTEC®-3) 20% of span for both zero and span
- Input compliance voltage 16 VDC max. applied to input terminals
- Internal voltage drop <1.8V @ 20mA, <3V @ 60mA
for ISOTEC®-2
<8.6V @ 20mA I/P, 10V O/P
for ISOTEC®-3
Better than 0.1% of span
(ISOTEC®-2)
Better than .03% of span
(ISOTEC®-3)
- Isolation (ISOTEC®-2,-3) >2KV DC or peak AC, Input/Output
- Temperature Stability Better than 20ppm/°C (ISOTEC®-2)
Better than 30ppm/°C (ISOTEC®-3)
- Transfer Ratio 1:1 for ISOTEC®-2, 2.5:1 (ISOTEC®-2S)
- Maximum Load (ISOTEC®-2) .. 750 Ω (ISOTEC®-2), 300 Ω
for ISOTEC®-2S
- Minimum Load (ISOTEC®-3) ... 5.0 K Ω @ 20ma/10V (In/Out)
- Operating Temperature - 10°C to 85°C
- Storage Temperature - 40°C to 100°C
- Humidity 0-95% RH, non-condensing
- Mounting DIN rail 35mm std.
- Enclosure Plastic, High density, 22.5mm wide
- EMI/RFI Immunity EMI/RFI Immunity Tested per
SAMA PMC 33.1 from 20 to
1000MHz and field strength to 30
V/m, meets $\text{C} \epsilon$ specifications

All specifications are subject to change without notice.

ORDERING INFORMATION

ISOTEC® - 3 - (X-XX) V



Please request our ordering and calibration diskette describing the rest of Mescon's products.



Distributed By: